



Round Ceiling Fire Damper Model 420-R

Features – U.L. rated 3 hour ceiling fire damper. Meets NFPA 90A & UL 555C.

STANDARD CONSTRUCTION

COLLAR

2-3/8" (60) deep, 22 gauge (1.0) galvanized steel

BLADES

22 gauge (1.0) galvanized steel with a Ceramic Fiberglass outer cover over 81 sq. in. (8)

MAXIMUM U.L. CLASSIFIED SIZE

24" Diameter (610)

MINIMUM U.L. CLASSIFIED SIZE

5" Diameter (127)

UNDERSIZED

1/4"(6) under ordered size unless specified Exact or Actual

FUSIBLE LINK

165°F Standard (74°C)

FINISH

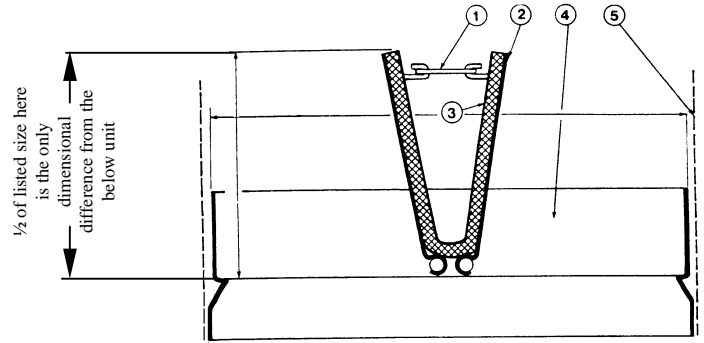
Galvanized

OPERATOR

None

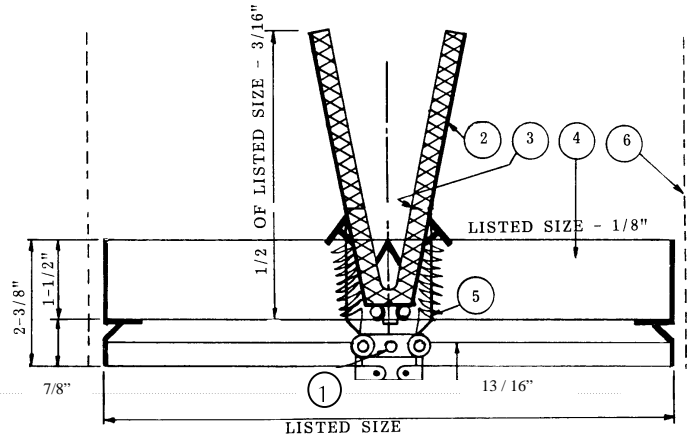
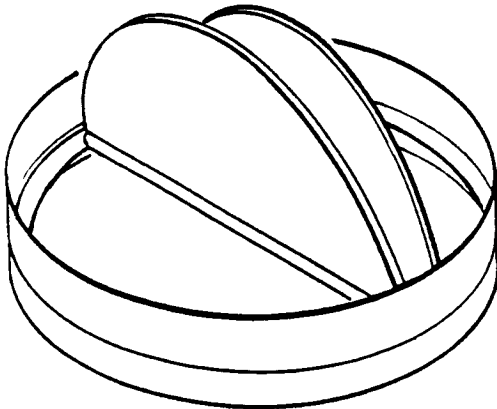
OPTIONAL CONSTRUCTION

OPERATOR – Hand adjustable volume controller.



This unit is dimensionally equal to the unit below – less the controller

- KEY TO DRAWINGS –
1. Fusible Link
 2. Blades
 3. Ceramic and Fiberglass
 4. Frame
 5. Volume Controller
 6. Duct drop (by others)



Contractor
Project
Engineer

IMPERIAL DAMPER & LOUVER LLC
 4228-38 Park Avenue
 Bronx, New York 10457
 Phone: 718-731-3800 Fax: 718-731-4920
 Email: Sales@ImperialDamper.com
 Web: www.ImperialDamper.com